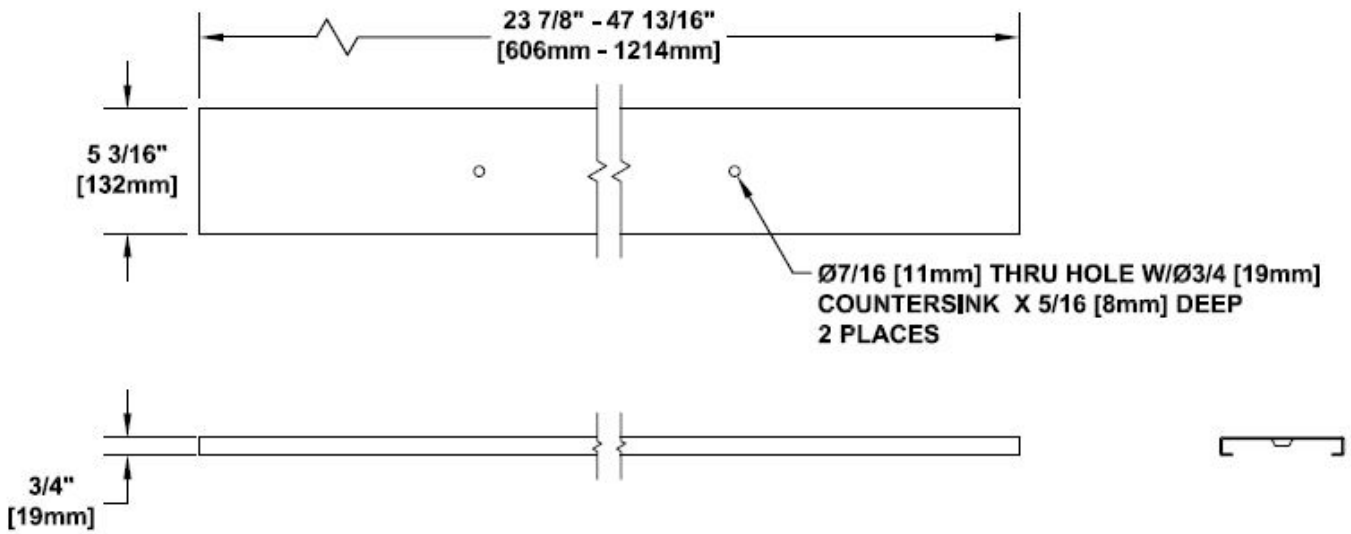
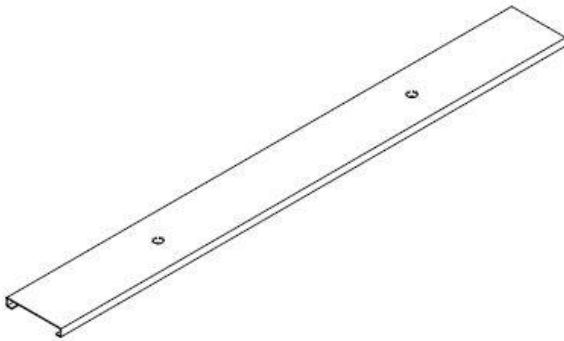


<p><b>Number</b></p> <p style="text-align: center;"><b>DG0667</b></p>	<p><b>Series</b></p> <p style="text-align: center;"><b>TPC600</b></p> <p style="text-align: center;">A Class Reinforced Stainless Solid Polycast 600</p>
---	--



**Manufacturer**



**Specification**

POLYCAST DG0667 STAINLESS STEEL SOLID COVER IS DESIGNED FOR PIPE RUNS, E.G. SECONDARY CONTAINMENT OR CABLE RUNS. ESPECIALLY SUITED FOR AREAS EXPOSED TO MILD ACIDS OR BASES. REMOVABLE COVER ALLOWS FULL ACCESS LOCKING DEVICE DA0642S SHOULD BE USED. IT IS MADE OF 14 GAUGE GR. 304 STAINLESS STEEL AND WEIGHS APPROXIMATELY 8 LBS. MEETS LOAD CLASS A.

DISCLAIMER - The customer and the customer's architects, engineers, consultants, and other professionals are completely responsible for the selection installation and maintenance of any product purchased from Trench Drain Supply and/or its manufacturers. TRENCH DRAIN SUPPLY MAKES NO WARRANTY, EXPRESS OR IMPLIED, AS TO THE SUITABILITY, DESIGN, MERCHANTABILITY, OR FITNESS OF THE PRODUCT FOR CUSTOMERS APPLICATION. The drawing and information provided remain the property and copyright of the manufacturer listed. The manufacturer reserves the right to modify specification without notice.